

### Track Condition

Composition:  Asphalt  Carpet

Environment:  Indoor  Outdoor

Surface:  Smooth  Both  Bumpy

Traction:  Low  Medium  High

Size:  Tight  Mixed  Open

Track Temp.: \_\_\_\_\_ Air Temp.: 60F

### Electronics

Motor: HW V10G2 4.5T Timing: 25

ESC: HW XR10 Battery: Protek 6100

Spur: 111 Pinion: 27 Ratio: \_\_\_\_\_

### Aerodynamics

Body: Montech IS200 Wing: STD

### Front

RSD Yellow 20mm - Spring - RSD Yellow 20mm

Axon 35 - Oil - Axon 35

4x1.1 - Piston - 4x1.1

0 - Rebound (%) - 0

none - Foam Inserts - none

### Anti-Roll Bar

1.3 \_\_\_\_\_ 1.2

### Tires

SCH Yellow - Inserts - SCH Yellow

SCH Revlite - Rims - SCH Revlite

Paragon - Additive - Paragon

10 min - Additive Time - 10min

Fr Left	Fr Right	Surface	Rr Left	Rr Right
Full				Full

### Transmission

Gear  Ball - Diff -  Gear  Ball

- Oil - Axon 5000

- Oil Weight (Grs) -

- Settings -

Spool

RSD Short Towers with XRAY Short Shocks.

### Front

Toe: 0.5 out

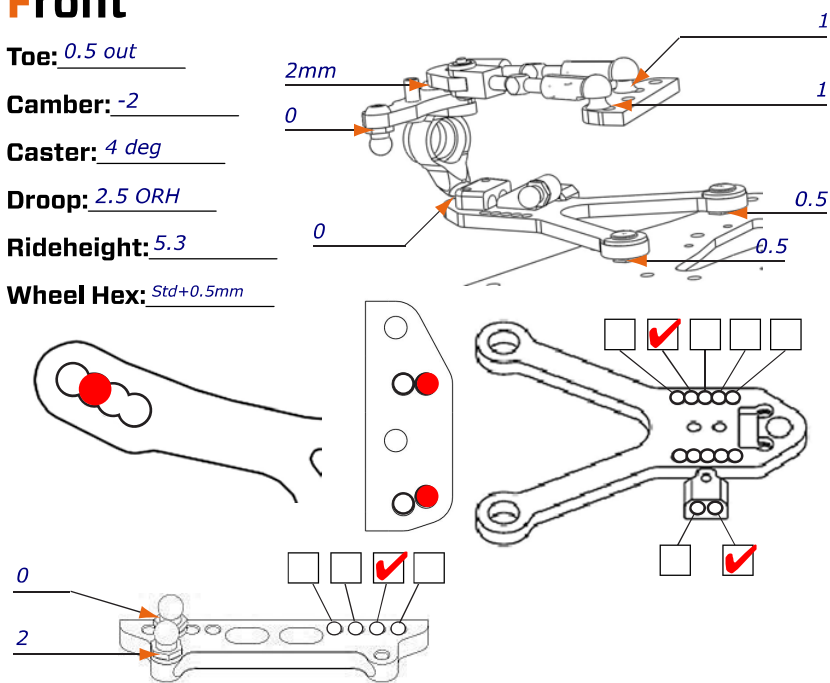
Camber: -2

Caster: 4 deg

Drop: 2.5 ORH

Rideheight: 5.3

Wheel Hex: Std+0.5mm



### Rear

Toe: 2.75

Camber: -2

Caster: +2

Drop: 3 ORH

Rideheight: 5.5

Wheel Hex: STD

