

### Track Condition

**Composition:**  Asphalt  Carpet  
**Environment:**  Indoor  Outdoor  
**Surface:**  Smooth  Both  Bumpy  
**Traction:**  Low  Medium  High  
**Size:**  Tight  Mixed  Open  
**Track Temp.:** \_\_\_\_\_ **Air Temp.:** 85

### Electronics

**Motor:** HW G2 4.5T **Timing:** 35  
**ESC:** HW XR10 160A **Battery:** Protek 6100  
**Spur:** 111 **Pinion:** 27 **Ratio:** \_\_\_\_\_

### Aerodynamics

**Body:** Bitty M410 **Wing:** Std

<b>Front</b>	<b>Shocks</b>	<b>Rear</b>
<u>RSD Gold</u>	- Spring - _____	<u>RSD Gold</u>
<u>Axon 35</u>	- Oil - _____	<u>Axon 35</u>
<u>4x1.1</u>	- Piston - _____	<u>4x1.1</u>
<u>0</u>	- Rebound (%) - _____	<u>0</u>
	- Foam Inserts - _____	

### Anti-Roll Bar

1.3 \_\_\_\_\_ 1.2

### Tires

Sorex 36 handout - Inserts - Sorex 36 Handout  
 - Rims - \_\_\_\_\_  
Red Dot - Additive - Red Dot  
air dry - Additive Time - air dry

Fr Left	Fr Right	<b>Surface</b>	Rr Left	Rr Right
<u>Light Sauce, full tire</u>			<u>Light sauce, full tire</u>	

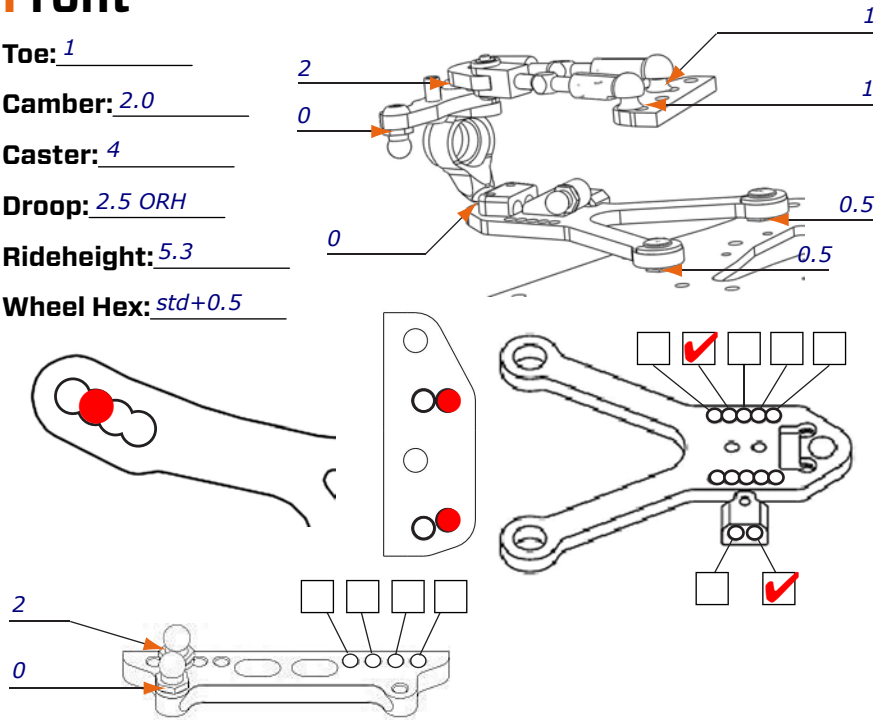
### Transmission

Gear  Ball - Diff -  Gear  Ball  
 - Oil - Axon 5000  
 - Oil Weight (Grs) - \_\_\_\_\_  
 - Settings - full oil  
 Spool

Car was excellent on new tires and first half of the race. Second run needs work. Qualified 5th, finished third after great battle with Chris Adams. One of 2 managing a sub 14 second lap (13.985). Need to work on less tire fade. Car was building too much of a push halfway through the run.

### Front

**Toe:** 1  
**Camber:** 2.0  
**Caster:** 4  
**Droop:** 2.5 ORH  
**Rideheight:** 5.3  
**Wheel Hex:** std+0.5



### Rear

**Toe:** 2.75  
**Camber:** 1.5  
**Caster:** -2  
**Droop:** 3 ORH  
**Rideheight:** 5.5  
**Wheel Hex:** std

